



**Electrolux**  
PROFESSIONAL

**Modular Cooking Range Line  
700XP One Well Freestanding  
Electric Fryer 15 liter**

ITEM # \_\_\_\_\_

MODEL # \_\_\_\_\_

NAME # \_\_\_\_\_

SIS # \_\_\_\_\_

AIA # \_\_\_\_\_



371081 (E7FRED1GF0)

15-lt electric Fryer free standing with 1 "V" shape well (external heating elements), 1 basket and lid included

**Short Form Specification**

Item No. \_\_\_\_\_

To be installed on height adjustable feet in stainless steel. High efficiency infrared heating elements (10kW) attached to the outside of the well. Deep drawn V-shaped well. Oil drains through a tap into a container under the well. Exterior panels in stainless steel with Scotch Brite finish. One piece pressed work top in 1.5 mm thick stainless steel. Right-angled side edges to allow flush-fitting junction between units.

**Main Features**

- Unit to be mounted on height adjustable feet in stainless steel.
- Deep drawn V-Shaped well.
- High efficiency infrared heating elements are attached to the outside of the well.
- Thermostatic regulation of oil temperature up to a maximum of 185 °C.
- Overheat protection thermostat as standard on all units.
- Oil drains through a tap into a drainage container positioned under the well.
- All major compartments located in front of unit for ease of maintenance.
- IPx4 water protection.
- Optional portable oil quality monitoring tool (code 9B8081) for efficient oil management.

**Construction**

- Interior of well with rounded corners for ease of cleaning.
- All exterior panels in Stainless Steel with Scotch Brite finishing.
- One piece pressed 1.5 mm work top in Stainless steel.
- Model has right-angled side edges to allow flush fitting joints between units, eliminating gaps and possible dirt traps.

**Sustainability**



- This model is compliant with Swiss Energy Efficiency Ordinance (730.02).

**Included Accessories**

- 1 of Door for open base cupboard PNC 206350
- 1 of Full size basket for 14 and 15lt free standing fryers PNC 921691

**Optional Accessories**

- Junction sealing kit PNC 206086
- Flanged feet kit PNC 206136
- Frontal kicking strip for concrete installation, 400mm PNC 206147
- Frontal kicking strip for concrete installation, 800mm PNC 206148
- Frontal kicking strip for concrete installation, 1000mm PNC 206150
- Frontal kicking strip for concrete installation, 1200mm PNC 206151
- Frontal kicking strip for concrete installation, 1600mm PNC 206152
- Frontal kicking strip, 400mm (not for refr-freezer base) PNC 206175

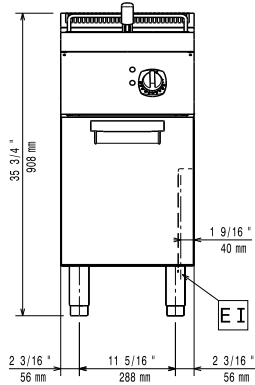
APPROVAL: \_\_\_\_\_



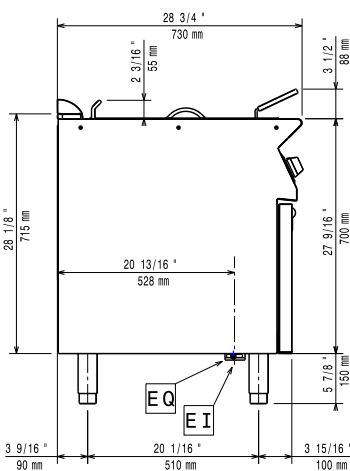
Experience the Excellence  
www.electroluxprofessional.com

- Frontal kicking strip, 800mm (not for refr-freezer base) PNC 206176
- Frontal kicking strip, 1000mm (not for refr-freezer base) PNC 206177
- Frontal kicking strip, 1200mm (not for refr-freezer base) PNC 206178
- Frontal kicking strip, 1600mm (not for refr-freezer base) PNC 206179
- Kit 4 feet for concrete installation (not for 900 line free standing grill) PNC 206210
- Sediment tray for 15lt fryers PNC 206235
- Pair of side kicking strips PNC 206249
- Pair of side kicking strips for concrete installation PNC 206265
- Oil drain pipe for 15lt free standing fryer PNC 206301
- Chimney upstand, 400mm PNC 206303
- Right and left side handrails PNC 206307
- Back handrail 800 mm PNC 206308
- Door for open base cupboard PNC 206350
- Base support for feet or wheels - 400mm (700/900) PNC 206366
- Base support for feet or wheels - 800mm (700/900) PNC 206367
- Base support for feet or wheels - 1200mm (700/900) PNC 206368
- Base support for feet or wheels - 1600mm (700/900) PNC 206369
- Base support for feet or wheels - 2000mm (700/900) PNC 206370
- Rear paneling - 600mm (700/900XP) PNC 206373
- Rear paneling - 800mm (700/900) PNC 206374
- Rear paneling - 1000mm (700/900) PNC 206375
- Rear paneling - 1200mm (700/900) PNC 206376
- Chimney grid net, 400mm (700XP/900) PNC 206400
- Base support for feet or wheels - 600mm (700/900) PNC 206431
- 2 side covering panels for free standing appliances PNC 216000
- Full size basket for 14 and 15lt free standing fryers PNC 921691
- 2 half size baskets for 14 and 15lt fryers PNC 921692
- Filter for fryer oil collection basin for 7lt, 14lt, 15lt free standing fryers PNC 921693
- Unclogging rod for 15lt fryers drainage pipe PNC 921695
- Deflector for floured products for 15lt fryers PNC 921696

Front

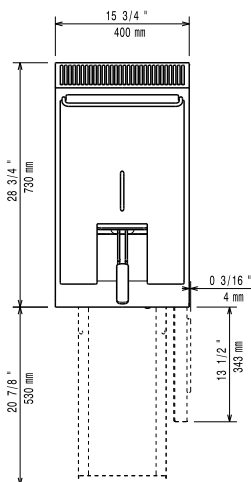


Side



EI = Electrical inlet (power)  
EQ = Equipotential screw

Top



## Electric

### Supply voltage:

380-400 V/3N ph/50/60 Hz

371081 (E7FRED1GF0)

### Total Watts:

10 kW

### Predisposed for:

380-400V 3N~ 50/60Hz  
9-10kW

## Key Information:

Usable well dimensions  
(width):

240 mm

Usable well dimensions  
(height):

505 mm

Usable well dimensions  
(depth):

380 mm

Well capacity:

13 lt MIN; 15 lt MAX

Thermostat Range:

105 °C MIN; 185 °C MAX

Net weight:

59 kg

Shipping weight:

52 kg

Shipping height:

1120 mm

Shipping width:

480 mm

Shipping depth:

820 mm

Shipping volume:

0.44 m<sup>3</sup>

If appliance is set up or next to or against temperature sensitive furniture or similar, a safety gap of approximately 150 mm should be maintained or some form of heat insulation fitted.

Certification group:

N7FE1